



www.santos.fr

**KITCHEN BLENDER
SANTOSAFE® # 37**



**New
version**

NEW DESIGN
PERFECT BLENDING
MORE POWERFUL

Internationally patented models





KITCHEN BLENDER

SANTOS KNOW-HOW IN YOUR KITCHEN

The kitchen blender # 37 is the ideal appliance for mixing, liquefying, grinding, crushing... all kinds of hot and cold preparations : gaspachos, soups, purées, creams...

It quickly crushes hard ingredients (ice cubes, lobster carcass...).

Ideal for restaurants, institutions, hospitals, child care centers, hotels and ice-cream shops.

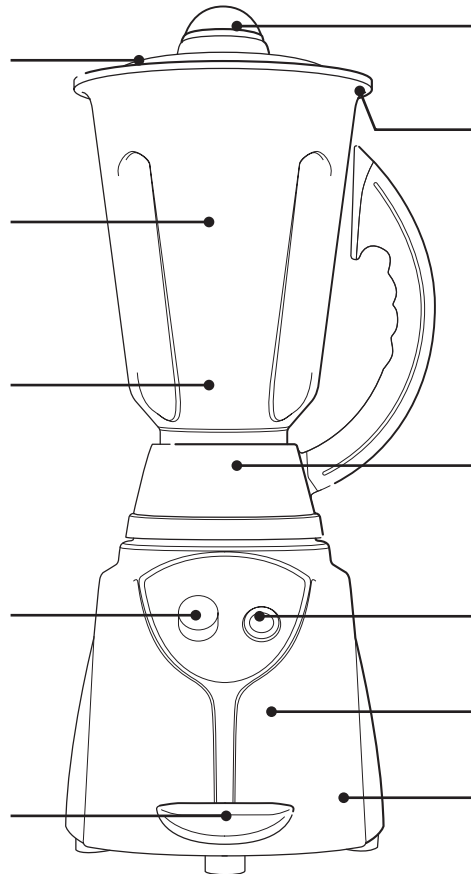
Exclusive patent:
Santosafe® locking system
for bowl and cover. Hands free use.
In conformity with the professional european standards for a completely safe use

2L (68 oz) or 4L (136 oz) bowls,
stainless steel or transparent
(without bisphenol A)
adaptable to the same base

New blades, high resistance,
offering a **high quality blending**
and a **better vortex**
Knife assembly is ball bearings mounted

On/Off rotary button.
Variable speed:
from 0 to 15 000rpm

Handle to open and close
Santosafe® locking system



Removable lid to add ingredients
while blending (Ø 46 mm / 1.8")

New
Waterproof removable rubber seal equipped
with a tab (easy opening of the cover)
Resists high temperatures and frequent
cleaning.

Silent and durable coupling system kit for
intensive use

New pulse: 18 000 rpm

New powerful and reliable commercial motor. Excellent energy efficiency.

Painted aluminium base

A COMPLETE RANGE OF BOWLS FOR ALL USES



CHOOSE YOUR BOWL



2LP



2LI



4LP



4LI

SANTOSAFE® # 37



QUALITY BLENDER

Powerful and efficient

- Powerful commercial motor, very silent.
- New blades, highly resistant, for a maximum efficiency on all kinds of preparations (liquids and solids).
- Speed variation from 0 to 15 000rpm and pulse : 18 000rpm.

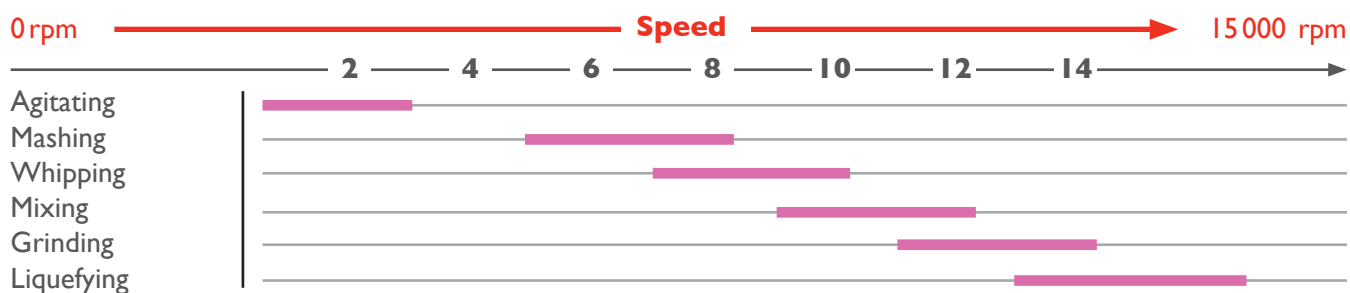
Safe

- Exclusive patent: Santosafe® locking system for bowl and cover. The motor stops when opening the locking system.
- 2L (68oz) or 4L (136 oz) bowls, stainless steel or transparent (without bisphenol A)
- Removable lid to safely add ingredients while blending

Easy to use

- Hands free use thanks to the locking system for bowl and cover.
- Possibility to add ingredients while blending thanks to the filler cap on the cover.
- Easy cleaning: removable bowl, blade, cover and cover seal.

Choose the speed according to your preparations



TECHNICAL SPECIFICATIONS



Motor

Single phase: 110-120V – 50/60 Hz – I 200 W CE
220-240V – 50/60 Hz – I 200 W CE

Speed: from 0 to 18 000rpm (50Hz/60Hz)

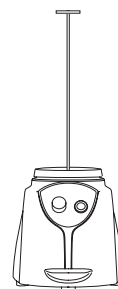


Weight

Net: 12 Kg (26.5 lbs)
Shipping: 14 Kg (31 lbs)



APPLIANCE
W: 303 mm (12")
L: 220 mm (8.6")
H: 566 mm (22")



SHIPPING BOX (BASE)
W: 390 mm (15")
L: 300 mm (11.8")
H: 650 mm (25.6")



SHIPPING BOX (BOWL)
W: 240 mm (9.4")
L: 360 mm (14.2")
H: 220 mm (8.6")

SAFETY, STANDARDS, HYGIENE

In accordance with the following regulations

Machinery directive 2006/42/EC
Electromagnetic compatibility 2004/108/EC
“Low voltage” Directive 2006/95/EC
RoHS directive 2002/95/EC
Regulation 1935/2004/EC (contact with food)
EN 12852 + A1: 2010 Food processors and blenders, safety and hygiene requirements

Harmonized European standards
EN ISO 12100 - 1 and 2 : 2004
EN 60204-1 : 2006

CE (Europe)

Electrical safety

- All mechanical parts are ground connected.
- Appliances are 100% tested after assembly

Thermal safety

Motor protected by internal thermal detector

Acoustic safety

Silent and powerful motor

Hygiene

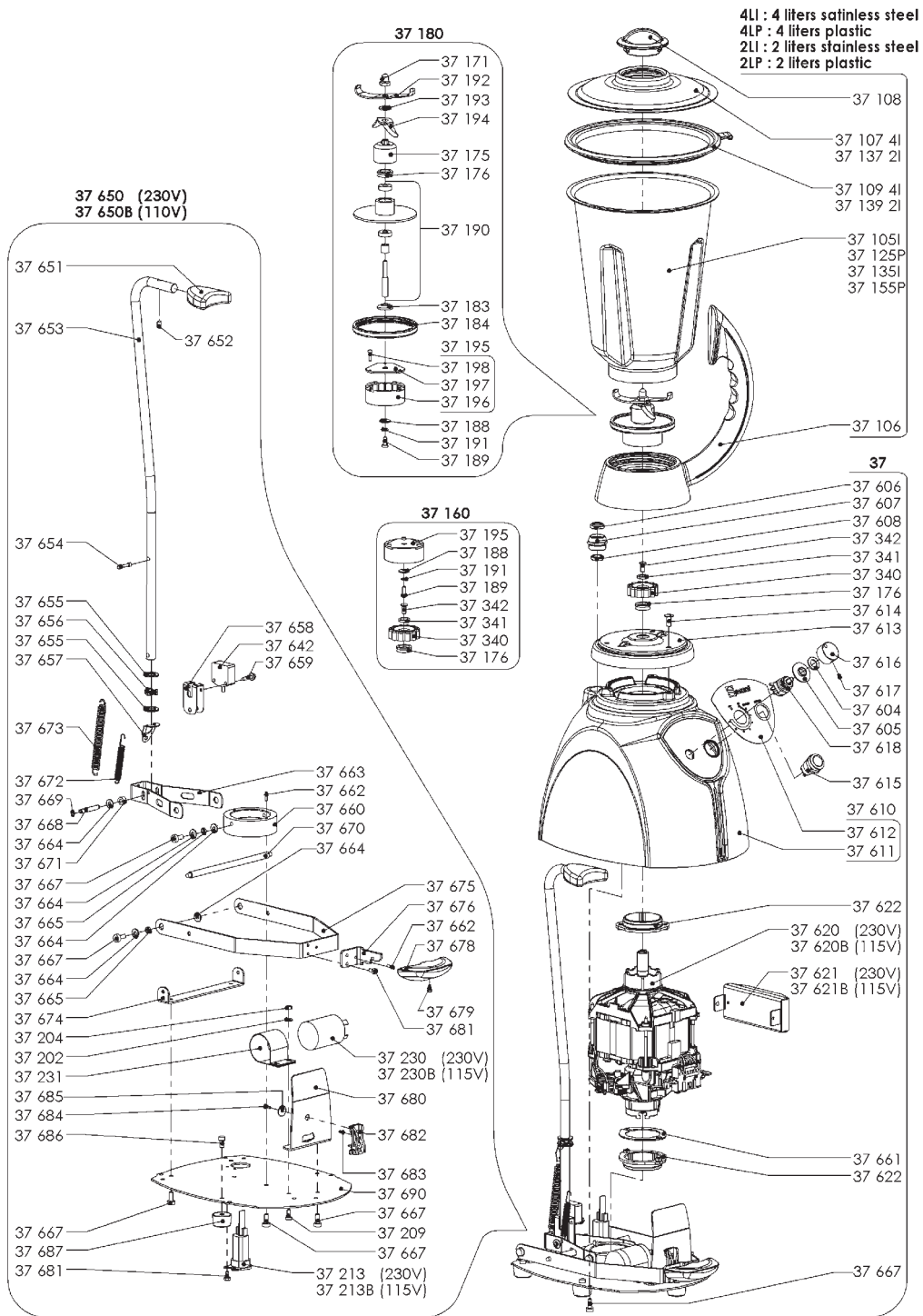
All removable parts can be put in a dishwasher or easily cleaned with hot soapy water.

PRODUCT: 2-YEAR WARRANTY



KITCHEN BLENDER SANTOSAFE® # 37

www.santos.fr



140-150 AV ROGER SALENGRO – 69120 – VAULX EN VELIN – LYON – FRANCE – TEL. 33 (0) 472 37 35 29 – FAX. 33 (0) 478 26 58 21

Website : www.santos.fr – E-mail : santos@santos.fr