



# DISHWASHER X-51PB 230/50/1 DD

Multi-phase dishwasher. 500x500mm. racks. Max. loading height: 330mm.

P/N 1302099



## FEATURES AND BENEFITS

Multi-phase dishwasher:

- ✓ 230V / 50Hz / 1~ (standard)
- ✓ 400V / 50Hz / 3N~
- ✓ 230V / 50Hz / 3~
- ✓ Intuitive use.
- ✓ Top and bottom wash arms.
- ✓ Highly efficient, 1HP wash pump.
- ✓ Catering grade stainless steel construction (AISI 304 2B).
- ✓ Double skinned door equipped with magnetic micro-switch and high-efficiency seal, ensuring thermal and acoustic insulation.
- ✓ Rounded finish interior ensures no accumulation of dirt.
- ✓ Completely rounded, stainless steel wire rack support and guide.
- ✓ Electronic, watertight control panel with wash and rinse temperature display.
- ✓ Highly efficient stainless steel dispersers ensure optimum water distribution for enhanced washing performance.
- ✓ Rinsing dispersers offer clean design. Assembly without screws.
- ✓ Double filter system provides effective wash pump protection.
- ✓ Easily removable dispersers and filters for cleaning and maintenance. No tools needed.
- ✓ Independent rinse boiler complete with adjustable and safety thermostats.
- ✓ Tank equipped with adjustable thermostat.
- ✓ Designed for quick and easy maintenance. Fast access to components for on-site maintenance.
- ✓ 100% tested.

## SALES DESCRIPTION

Commercial multi-phase, multi-power dishwasher with 3 wash cycles, wash and rinse temperature display and thermal cycle delay option.

- ✓ Best performance.
- ✓ Optimal washing results.
- ✓ Sturdy and reliable.
- ✓ Stainless steel, sturdy and resistant washing arms. Don't get damaged because of chemical corrosion.
- ✓ Full optional list.

## INCLUDES

- ✓ Rinse aid pump.
- ✓ 1 open basket.
- ✓ 1 plate basket.
- ✓ 1 small cutlery basket.

## ACCESSORIES

- Stands for glass- and dishwashers
- Filters for dishwashers
- Dosing equipments
- Manual water softeners
- Automatic water softeners
- Sink units: worktops
- Frames for dishwashers
- 500 x 500 mm. baskets
- Inserts, supplements & similar
- High Feet Kit



**sammic** | www.sammic.com  
Food Service Equipment Manufacturer

Polígono Basarte, 1. phone +34 943 15 72 36  
20720 Azkoitia, Spain sales@sammic.com



Project	Date
Item	Qty
Approved	



# DISHWASHER X-51PB 230/50/1 DD

Multi-phase dishwasher. 500x500mm. racks. Max. loading height: 330mm.



P/N 1302099

## SPECIFICATIONS

Basket dimensions: 500 mm x 500 mm

Maximum glass height: 330 mm

Cycle duration: 120 " / 180 " / 210 "

Production baskets/hour: 30 / 24 / 14

Wash temperature: 0 °C - 65 °C

Rinse temperature: 0 °C - 90 °C

✓ Boiler capacity: 10 l

✓ Wash tank capacity: 26 l

✓ Water consumption/cycle: 2.9 l

### Loading

✓ Pump: 750 W / 1 Hp

✓ Tank: 2500 W

✓ Boiler: 3000/4500 W

✓ Total loading: 3750/5250 W

### External dimensions (WxDxH)

✓ Width: 600 mm

✓ Depth: 630 mm

✓ Height: 835 mm

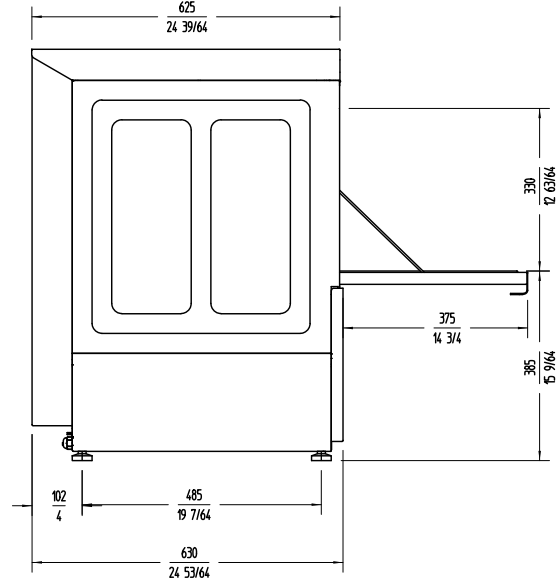
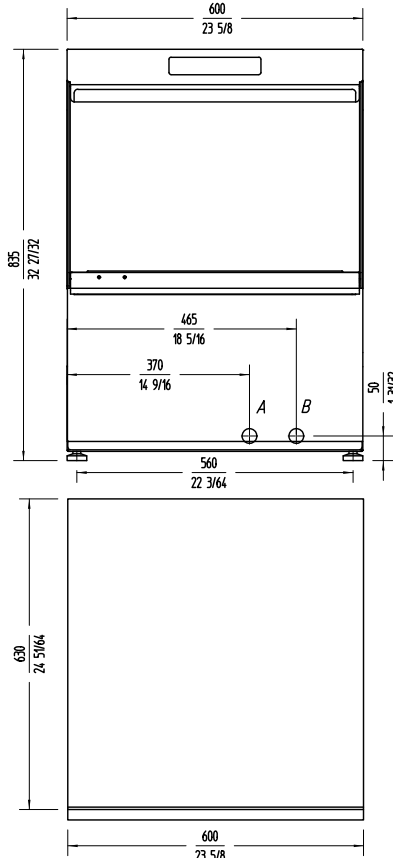
Net weight: 60.5 Kg

Noise level (1m.): <70 dB(A)

### Crated dimensions

640 x 695 x 960 mm

Gross weight: 66.1 Kg.



WARE WASHING  
COMMERCIAL DISHWASHERS

**sammic** | www.sammic.com  
Food Service Equipment Manufacturer

Polígono Basarte, 1. phone +34 943 15 72 36  
20720 Azkoitia, Spain sales@sammic.com



Project	Date
Item	Qty
Approved	

product sheet  
updated 27/09/2018