



P/N 1050123



SALES DESCRIPTION

For Samic vegetable preparation machines and combi models.

Optional accessory for Samic CA-31/41/62/3V/4V vegetable preparation machines and CK-35V/38V/45V/48V combi models.

- ✓ Ideal to get the best cutting quality out of long-shaped products.
- ✓ 2 different sized tube inlets complete with pushers.
- ✓ Stainless steel construction and highest quality material, all suitable for contact with food.

***Please note: codes valid also for CA-301/401/601 vegetable preparation machines and CK-301/302/401/402 combi models manufactured after December 2016. Ask for codes for previous models.**

Code 1050123: CA-31/41/62 and CA-301/401/601 (manufactured after December 2016).

Code 1050124: CA-3V/CA-4V, CK-35V/38V/45V/48V and CK-301/302/401/402 (manufactured after December 2016).



sammic | www.sammic.com
Food Service Equipment Manufacturer

Polígono Basarte, 1. phone +34 943 15 72 36
20720 Azkoitia, Spain sales@sammic.com



Project	Date
Item	Qty
Approved	

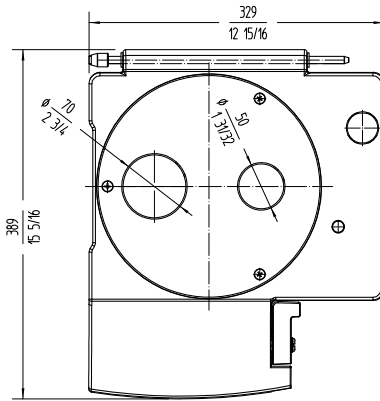
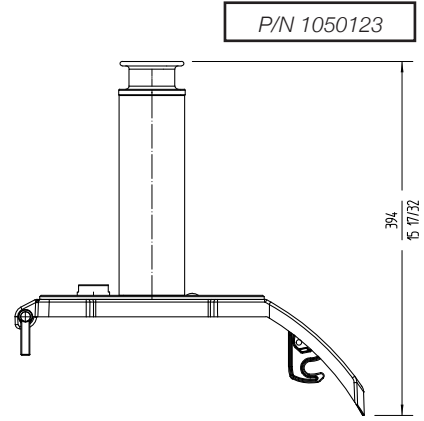
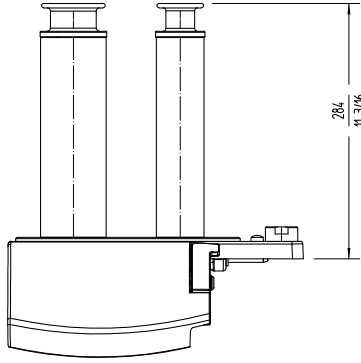


LONG VEGETABLE ATTACHMENT CA-31/41/62



SPECIFICATIONS

Mouth 1 dimensions - diameter:50 mm
Mouth 2 dimensions - diameter:70 mm



DYNAMIC PREPARATION
COMMERCIAL VEGETABLE PREPARATION MACHINES

sammic | www.sammic.com
Food Service Equipment Manufacturer

Polígono Basarte, 1. phone +34 943 15 72 36
20720 Azkoitia, Spain sales@sammic.com



Project	Date
Item	Qty
Approved	

product sheet
updated 09/08/2021