



BASKET ES-200



P/N 2009620



FEATURES AND BENEFITS

Drying basket for salad spinner ES-100/200. Stainless steel construction, with aluminum base.

SALES DESCRIPTION

DYNAMIC PREPARATION
COMMERCIAL SALAD SPINNERS



sammic | www.sammic.com
Food Service Equipment Manufacturer

Polígono Basarte, 1. phone +34 943 15 72 36
20720 Azkoitia, Spain sales@sammic.com



Project	Date
Item	Qty
Approved	

product sheet
updated 26/11/2019



BASKET ES-200



P/N 2009620

SPECIFICATIONS

Basket dimensions

basket dimensions (diameter): 371.6 mm

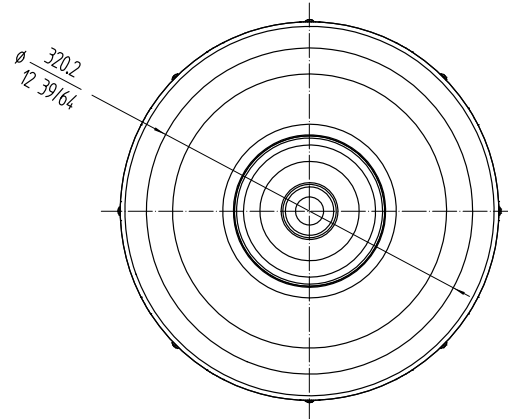
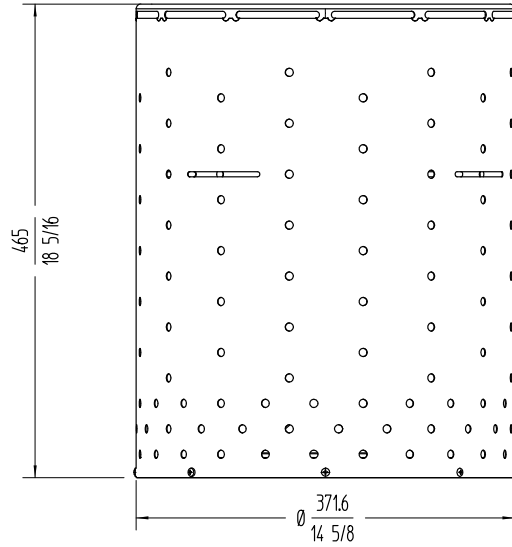
Height: 465 mm

Orifice diameter: 8 mm

Crated dimensions

49 x 40 x 40 mm

Gross weight: 6.5 Kg.



DYNAMIC PREPARATION
COMMERCIAL SALAD SPINNERS

sammic | www.sammic.com
Food Service Equipment Manufacturer

Polígono Basarte, 1. phone +34 943 15 72 36
20720 Azkoitia, Spain sales@sammic.com



Project	Date
Item	Qty
Approved	

product sheet
updated 26/11/2019