



# BASKET ES-100



P/N 2009625



## FEATURES AND BENEFITS

Drying basket for salad spinner ES-100/200. Stainless steel construction, with aluminum base.

## SALES DESCRIPTION

DYNAMIC PREPARATION  
COMMERCIAL SALAD SPINNERS



**sammic** | [www.sammic.com](http://www.sammic.com)  
Food Service Equipment Manufacturer

Polígono Basarte, 1. phone +34 943 15 72 36  
20720 Azkoitia, Spain [sales@sammic.com](mailto:sales@sammic.com)



Project	Date
Item	Qty
Approved	

product sheet  
updated 26/11/2019



# BASKET ES-100



P/N 2009625

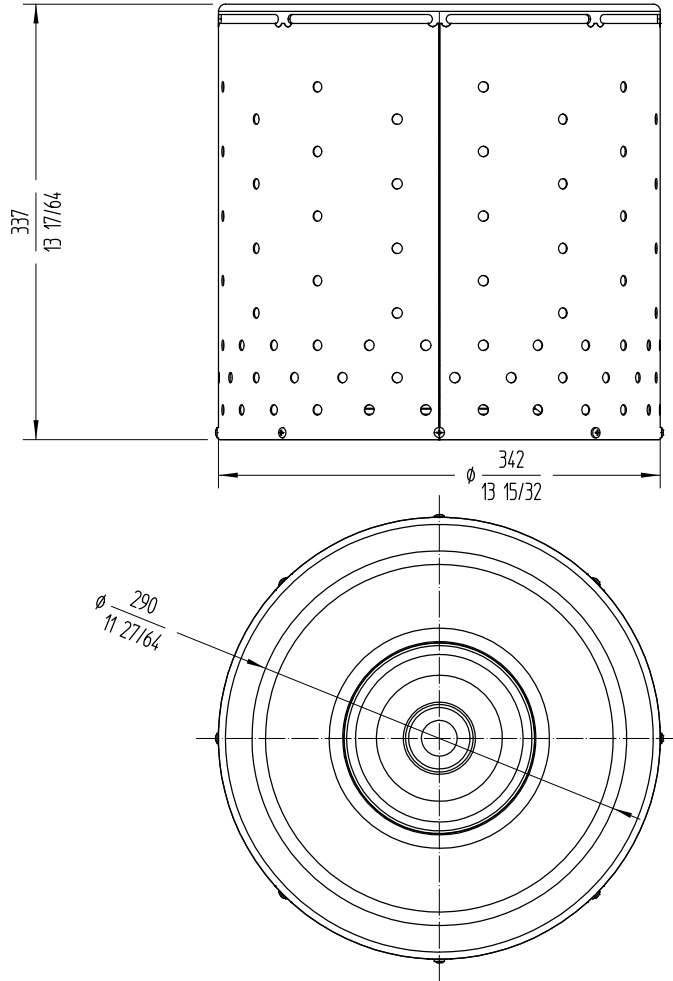
## SPECIFICATIONS

### Basket dimensions

basket dimensions (diameter): 342 mm

Height: 337 mm

Orifice diameter: 8 mm



DYNAMIC PREPARATION  
COMMERCIAL SALAD SPINNERS

**sammic** | www.sammic.com  
Food Service Equipment Manufacturer

Polígono Basarte, 1. phone +34 943 15 72 36  
20720 Azkoitia, Spain sales@sammic.com



Project	Date
Item	Qty
Approved	

product sheet  
updated 26/11/2019