



IMMERSION BLENDER XM-22 230/50-60/1 AUS

Professional immersion blender. 300 W.

P/N 3030756



FEATURES AND BENEFITS

- ✓ **All-in-one**
- ✓ Professional hand blender designed for carrying out different preparations without the need for add-on tools.
- ✓ Professional Y-blade, made from tempered steel and with a long-duration cutting edge.
- ✓ Vario-speed: variable speed.
- ✓ Designed to work in recipients of up to 15 litres.
- ✓ **Maximum comfort for the user**
- ✓ Compact design: logical and manageable size.
- ✓ Ergo-design & bi-mat-grip: external casing made in two materials for an ergonomic hold. Anti-slip grip. Optimum inclination of handle, minimising fatigue.
- ✓ Click-on-arm: detachable arm with fast and secure closure.
- ✓ Hood designed to avoid splashes.
- ✓ Intuitive use: very simple operation. Warning light when the machine is connected to the mains.
- ✓ **Built to last**
- ✓ Professional performance: capable of carrying out prolonged work without the casing overheating.
- ✓ Life-plus: equipped with a motor which has passed all of the most demanding usage tests.
- ✓ Studied geometry: casing designed to avoid rolling and falling.
- ✓ Easy to clean: detachable arm, can be cleaned under the tap.
- ✓ Approved by NSF: guaranteed safety and hygiene.
- ✓

SALES DESCRIPTION

Variable speed motor block.

300 mm detachable arm.

Designed for continuous use in recipients of up to 15 litres.

INCLUDES

- ✓ Variable speed motor block.
- ✓ MA-22 mixer arm.

ACCESSORIES

- Mixer arms MA-20
- Whisk BA-20



sammic | www.sammic.com
Food Service Equipment Manufacturer

Polígono Basarte, 1. phone +34 943 15 72 36
20720 Azkoitia, Spain sales@sammic.com



| | |
|----------|------|
| Project | Date |
| Item | Qty |
| Approved | |

DYNAMIC PREPARATION
COMMERCIAL HAND BLENDERS - XM RANGE

product sheet
updated 15/07/2020



IMMERSION BLENDER XM-22 230/50-60/1 AUS

Professional immersion blender. 300 W.

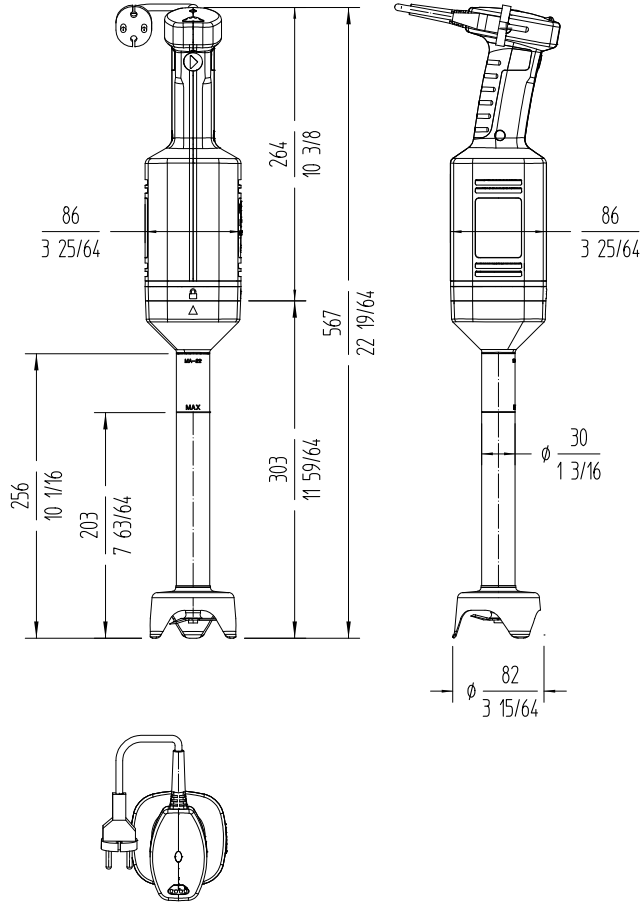
P/N 3030756

SPECIFICATIONS

Crated dimensions

440 x 375 x 105 mm

Gross weight: 3.1 Kg.



DYNAMIC PREPARATION
COMMERCIAL HAND BLENDERS - XM RANGE

sammic | www.sammic.com
Food Service Equipment Manufacturer

Polígono Basarte, 1. phone +34 943 15 72 36
20720 Azkoitia, Spain sales@sammic.com



| | |
|----------|------|
| Project | Date |
| Item | Qty |
| Approved | |

product sheet
updated 15/07/2020